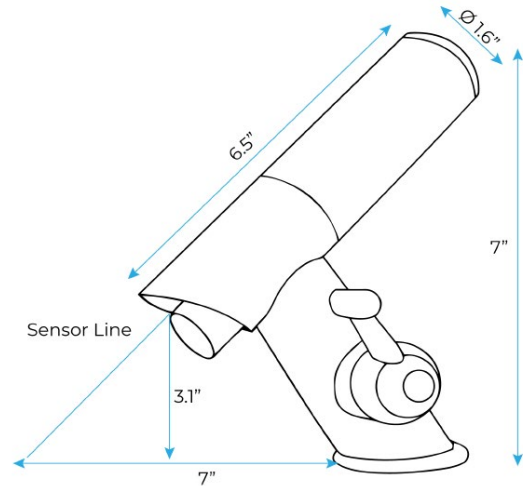


## FONTANA COMMERCIAL CHROME FINISH AUTOMATIC THERMOSTATIC SENSOR FAUCET SPECS



### **SPECS :**

Power: DC:6V(4AA alkaline battery)

AC:220V-240V; 50/60HZ

Detection Zone: Adjustable 5 ~ 25cm  
(default  
25cm)

Motor valve lifespan: up to 500000  
flushes

The weakness of the battery: Red LED  
on

Static Power Consumption: 0.36mw

Working Power consumption: 0.5mw

Response time: 0.3 seconds (default)

Time delay: 0.5 seconds (default)

Dia.of inlet / outlet pipe: G1/2"

Ambiance Temp Range: 0.1 ~ 60c  
Degree

Dia of installing faucet: 33~35mm

Work pressure: 0.5 ~ 7 Bar

