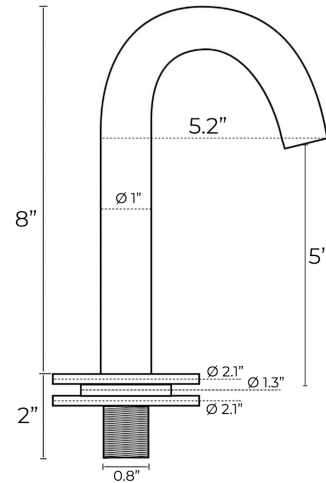


FONTANA BOLLNÄS CHROME GOOSE NECK MOTION SENSOR FAUCET FOR RESTROOMS SPECS



SPECS:

Water Consumption: 0.05Mpa-0.6Mpa
 Detection Zone: 16-32 cm or adjustable
 Motor valve lifespan: up to 500000
 flushes
 Battery lifespan: 100000 cycles
 Static Power Consumption: 0.36mw
 Working Power consumption: 0.5mw
 Inductive Opening Time: < 1 second
 Inductive Closing Time: < 2 second
 Dia.of inlet / outlet pipe: G1/2"
 Flux: $\geq 0.07\text{L/S}$
 Temperature: 0.1-50°C

