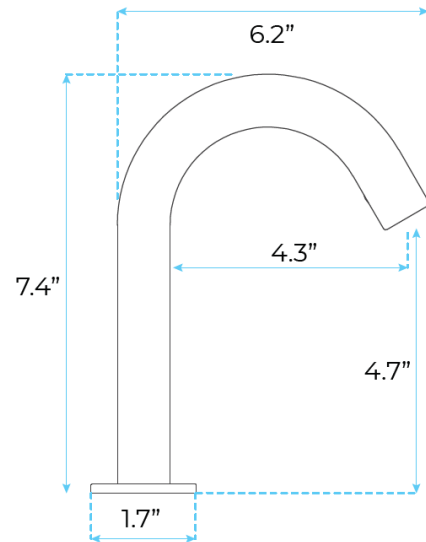


## FONTANA DENVER COMMERCIAL MATT BLACK TOUCHLESS AUTOMATIC SENSOR HANDS FREE FAUCET SPECS



### SPECS:

- ▶ Type: Matte Black Hand Touch Tap Automatic Inflated Sensor Faucet
- ▶ Sensor Distance: 2.7" - 3.1"
- ▶ Water Pressure Range : 0.5 wpa -- 0.6 wpa
- ▶ Faucet Material: Solid Brass
- ▶ Hot and Cold Hose Material: Stainless Steel
- ▶ Mixer Tap Material: Ceramic
- ▶ Item Finished: matte black
- ▶ Install Way: Deck Mounted Combinations
- ▶ Number of The Install Hole: Single hole
- ▶ Water Spout Way: water column
- ▶ Warm And Cold: yes
- ▶ Connection Parts Size: ½ " NPT connectors
- ▶ Applicable Water temperature : 0 - 45 Degree
- ▶ The handle can Adjust to Hot or Cold Water
- ▶ Droplet Free Ceramic Disc Cartridge For
- ▶ Smooth And Long Lasting Operation
- ▶ Easy To Clean. Can Be Cleaned With A Mild Soap To The Non-tarnish Life Shine
- ▶ GPM - 1.2

