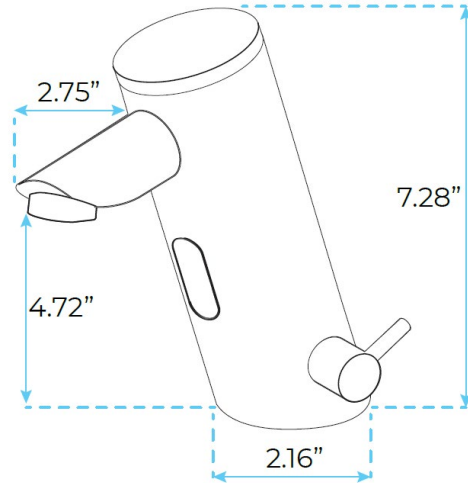


# FONTANA COMMERCIAL AUTOMATIC TEMPERATURE CONTROL OIL RUBBED BRONZE PLATINUM THERMOSTATIC SENSOR FAUCET SPECS



## **SPECS :**

Power: DC:6V(4AA alkaline battery)

AC:220V-240V; 50/60HZ

Water Consumption: 0.3-1.2 MPa

Detection Zone: 16-32 cm or adjustable

Motor valve lifespan: up to 500000 flushes

Battery lifespan: 100000 cycles

Static Power Consumption: 0.36mw

Working Power consumption: 0.5mw

Inductive Opening Time: < 1 second

Inductive Closing Time: < 2 second

Dia.of inlet / outlet pipe: G1/2"

Flux:  $\geq 0.07\text{L/S}$

Temperature: 0.1-50°C

Flow Rate: 1.8 GPM (6.81 L/min)

## **Faucet Battery Installation**

