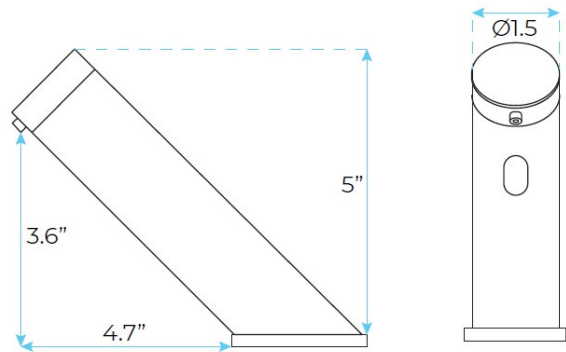


## FONTANA COMMERCIAL AUTOMATIC FOAM AUTOMATIC SOAP DISPENSER SPECS



### SPECS:

Product Type: Commercial

Main Construction Material: Brass

Mount Type: Deck

Handle Type: Infra-Red

Power supply: AC: 220V / DC: 1.5V 4pcs

Batteries Required: 4 AA Batteries (not supplied)

Number of Tap Holes: 1

Valve/Cartridge Type: Solenoid Valve

Plumbing System Requirements: Suitable for all plumbing systems

Sensing Range: 0 - 30cm

Activation Time: 0.5 - 1s

Viscosity of Liquid Soap: 100-3500cp (mpA.s)

Soap volume: ≤2mL/ times (four gears)

