

DECK MOUNT MANUAL SOAP DISPENSER INSTALLATION INSTRUCTIONS



PRIOR TO INSTALLATION

Please read installation instructions below. All plumbing should be installed in accordance with applicable building codes and regulations.

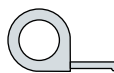
Unpack and inspect the items for any shipping damages. If you find damages, do not install.

All products must be installed by a professional and certified plumber otherwise warranty may be voided.

POSSIBLE TOOLS REQUIRED*



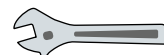
Plumbers Tape



Tape Measure



Level



Adjustable Wrench



Hex Wrench



Thread Sealant



Drill



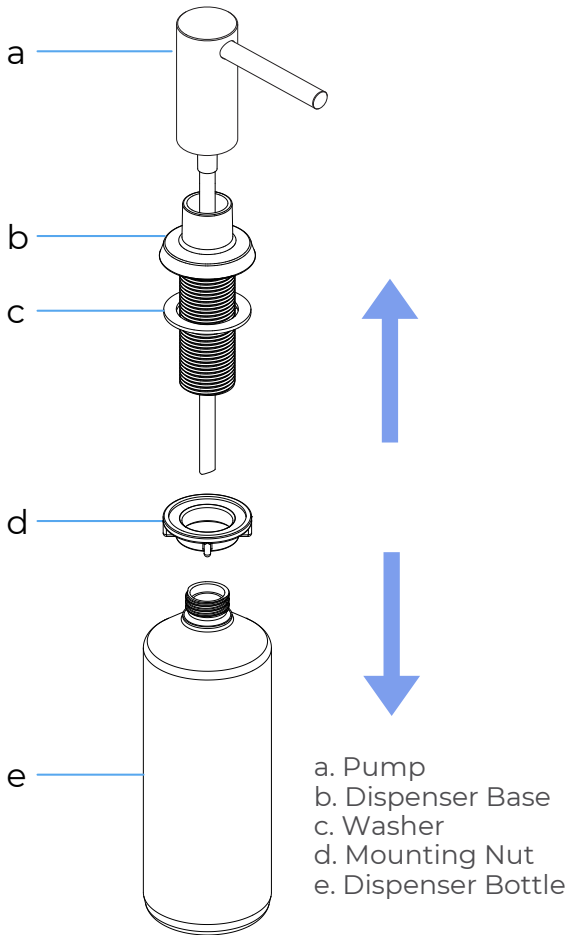
Pencil or Marker



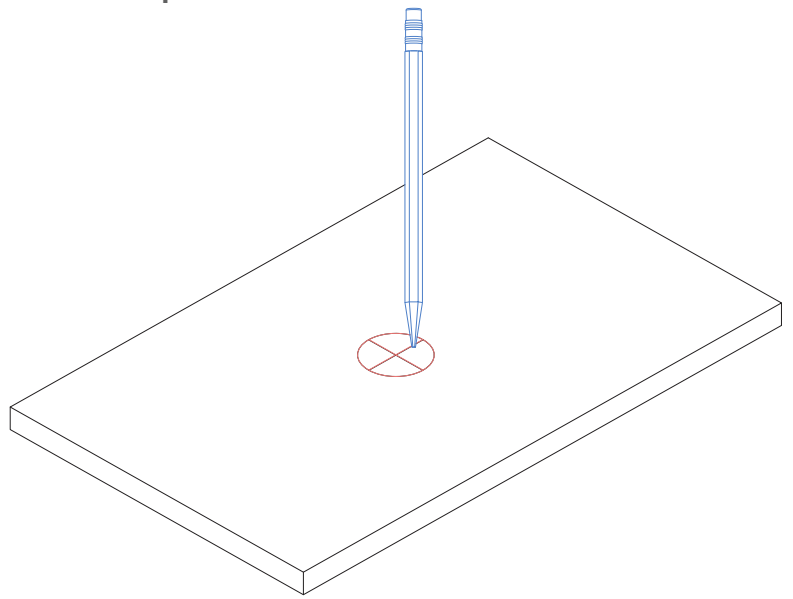
Screwdriver

*not included

Installation Instructions

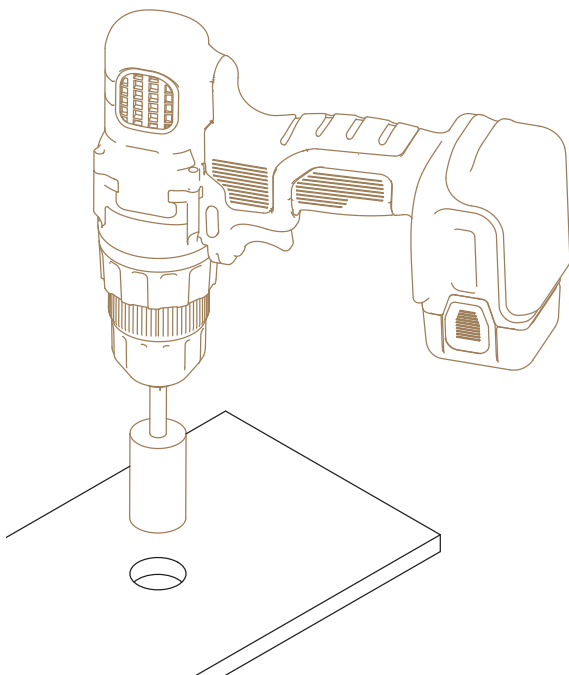


Step 1:



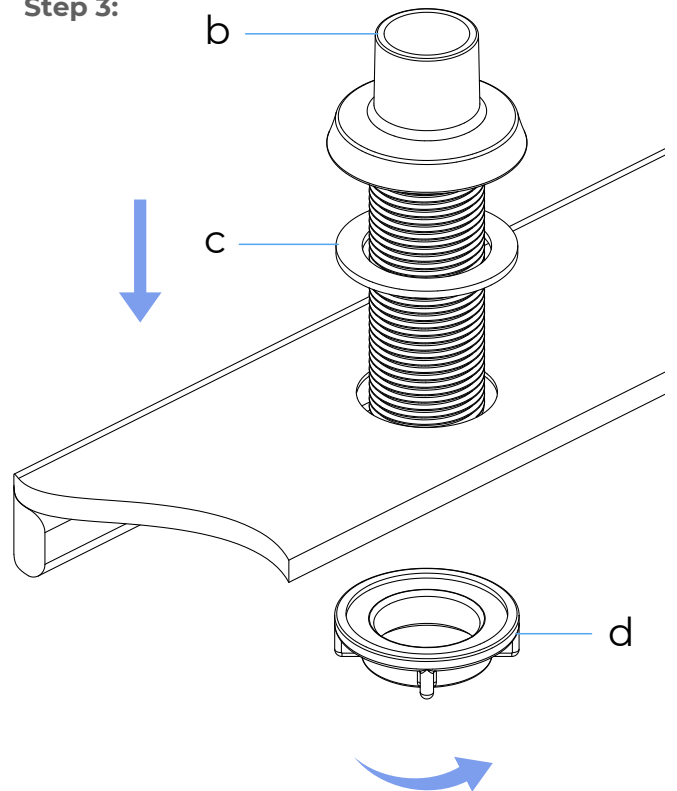
Mark soap hole centres onto the surface for installation.

Step 2:

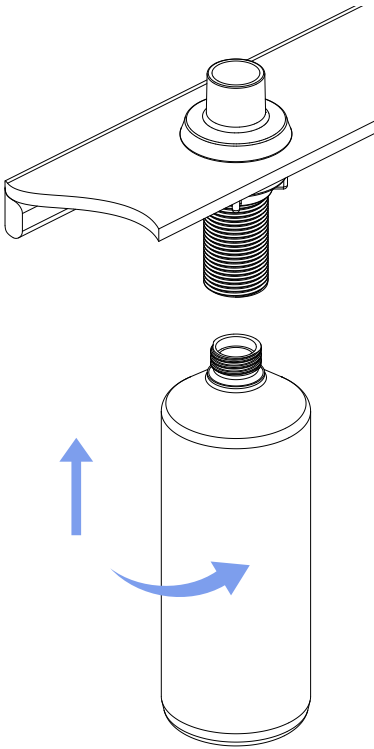


Drill 25 mm diameter hole in countertop.

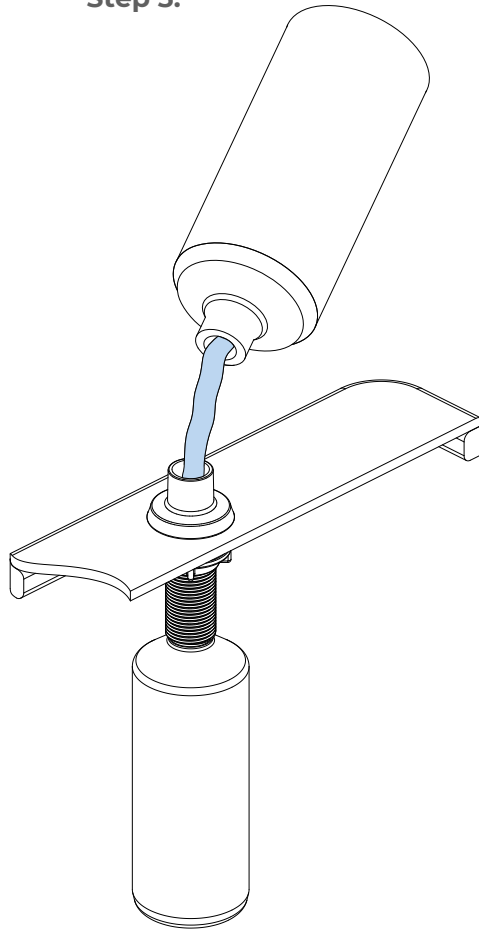
Step 3:



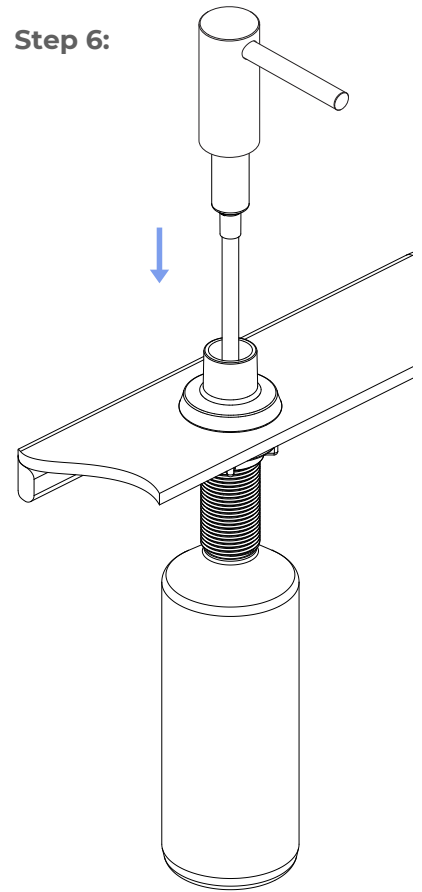
Step 4:



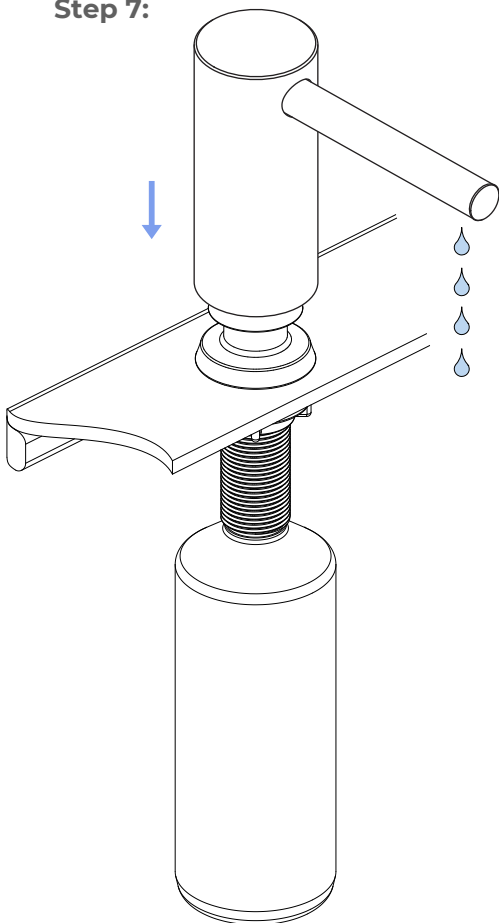
Step 5:



Step 6:



Step 7:



Disassemble soap dispenser

1. Install dispenser base (b) with washer (c) attached into the hole in the countertop. Re-install mounting nut (d) on the dispenser base (b) from underneath the countertop. Tighten mounting nut (d) by hand.
2. Screw the dispenser bottle to the dispenser base from underneath the countertop. Tighten as required.
3. Fill the dispenser bottle from the top with liquid soap.
4. Reinsert the pump into the dispenser base from the top.
5. Press the pump several times to make sure soap is evenly distributed.

Easy To Refill: Simply remove the pump head and refill from the top, no more crawling under the sink to remove the bottle.