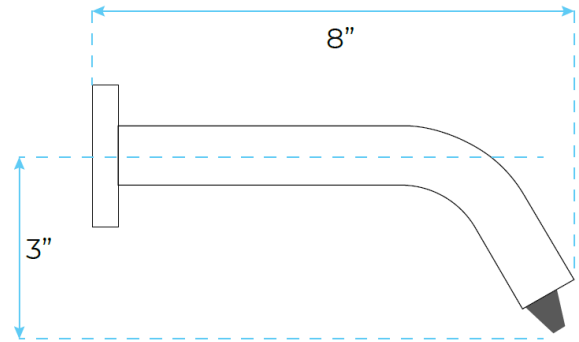


MILAN TOUCHLESS WALL MOUNTED SOAP DISPENSER SATIN NICKEL FINISH SPECS



SPECS :

Product Type: Commercial
 Main Construction Material: Brass
 Mount Type: Deck
 Handle Type: Infra-Red
 Power Rating: DC: 6V (4x 1.5VAA alkaline battery) AC:220V
 Batteries Required: 4 AA Batteries (not supplied)
 Number of Tap Holes: 1
 Valve/Cartridge Type: Solenoid Valve
 Plumbing System Requirements: Suitable for all plumbing systems
 Sensing Range: 15 _ 3cm
 Activation Time: 0.5 - 1 secs
 Viscosity of Liquid Soap: 100-3500cp (mpA .s)
 Soap volume: <2m/time (Four gear)

